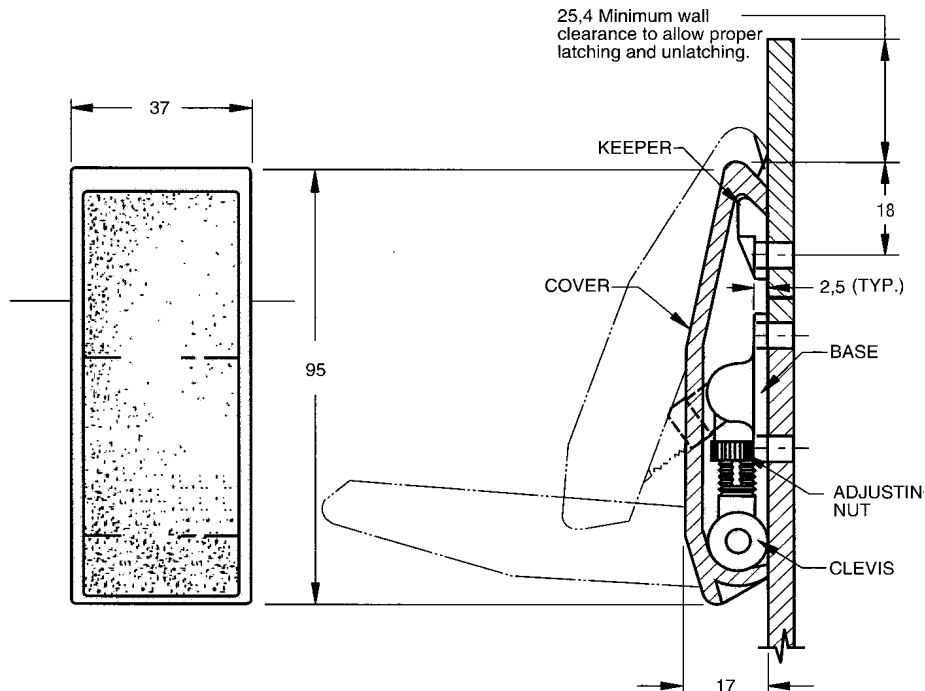


Adjustable Draw Latch

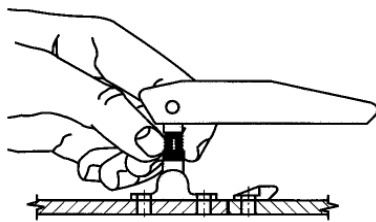


- Adjustable design
- Non-corrosive materials
- Flips open, snaps out
- Draws mating panels together
- All mounting hardware is concealed when latched
- Supplied with mating keeper
- Stainless steel adjustment nut
- Glass reinforced nylon
- UL94-HB flammability rating
- Black finish

P/No: E8-10-502-20



Panel Preparation



To adjust latching force thread adjustment nut up or down clevis (total 7.9mm range).

