

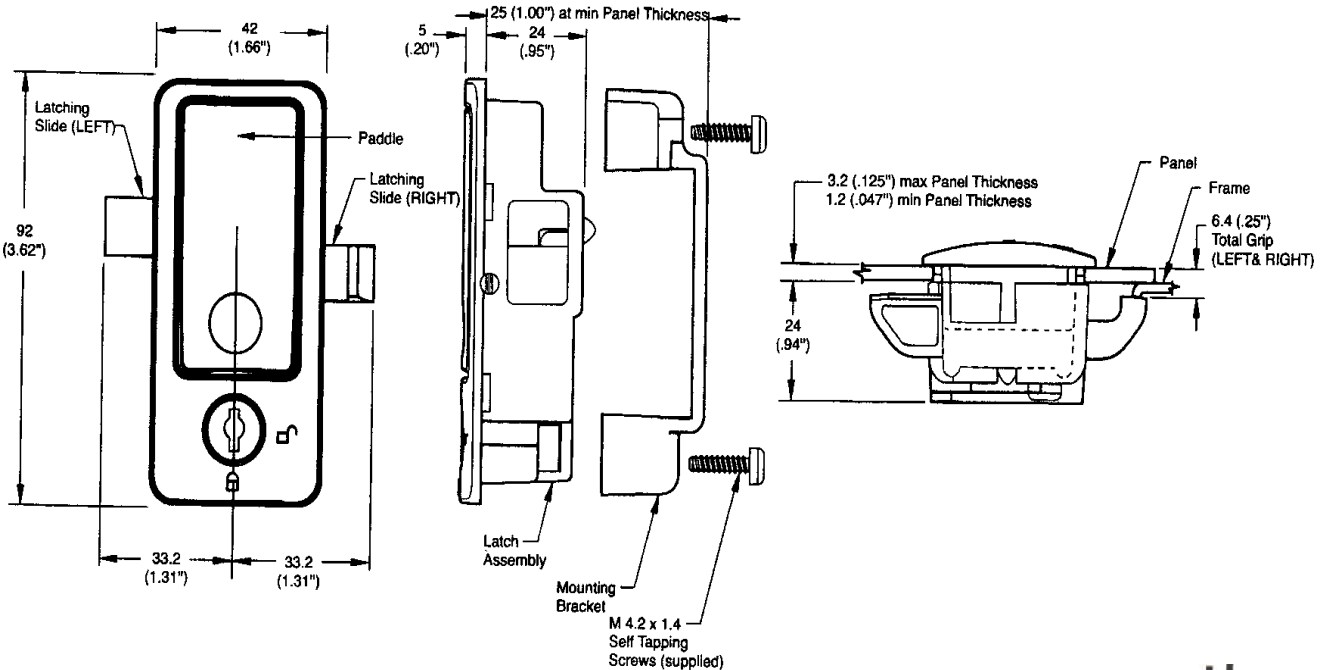
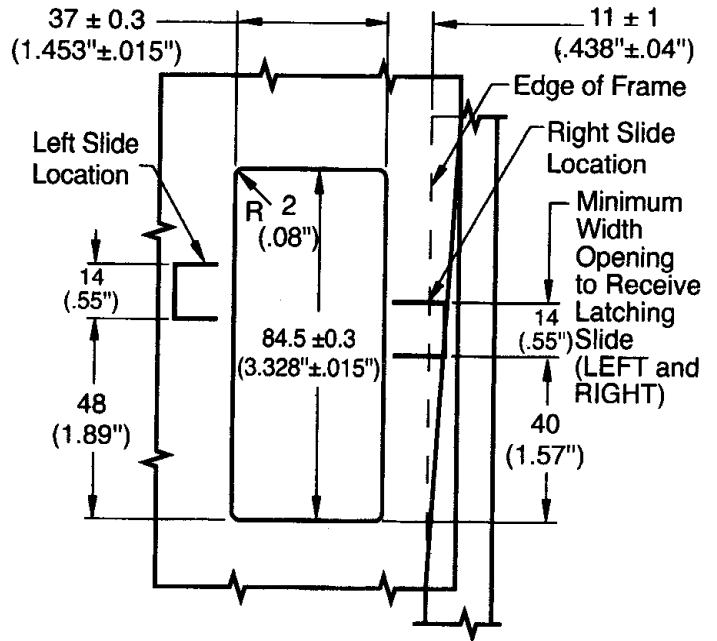
## Key-Locking Dual-Side Latching Slam Latch



**P/No: M1-2F-2-25**

- Press and pull to open
- Push the door to close
- Left or right handle latching in one assembly
- Locked and unlocked indicators
- Paddle serves as the door handle
- Housing and paddle are polycarbonate/ABS
- Latching slides, locking arm, and mounting bracket are glass reinforced nylon
- UL 94-HB flammability rating
- Black finish

### Panel Preparation



**southco®**

