

Rotary Action Link Lock



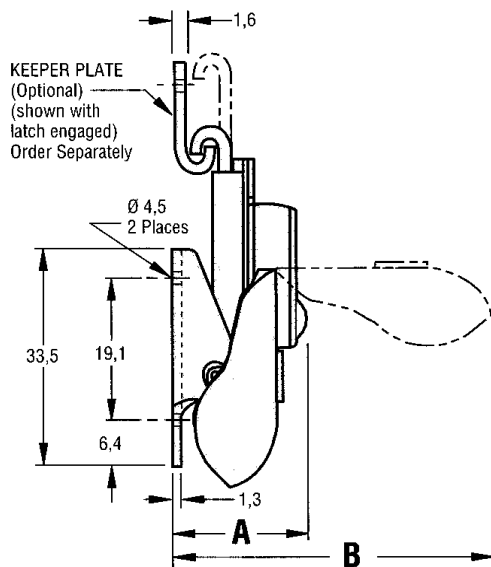
- Draws panels together with overcentre clamping force and slide travel of 12mm
 - Concealed spring loaded or fixed version available
 - Concealed spring loaded version accommodates misalignment and is ideal for applications where shock and vibration occurs
 - Fixed version is ideal for applications where misalignment is not concern
 - Easy lift and turn operation
 - Stylised Wing enhances your products appearances
 - Available in steel with black powder coat finish or bright stainless steel
- ▷ Keeper plate must be order separately

PART NUMBERS

DIMENSIONS

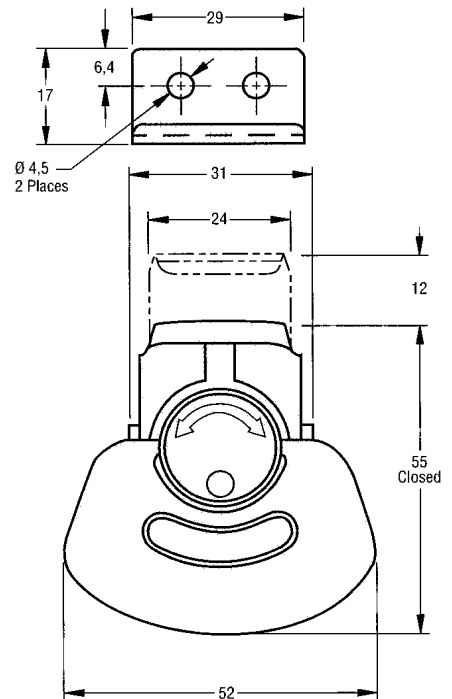
| LATCH | VERSION | Steel with Black Powder Coat | Stainless Steel | A | B | C |
|--------------|---------------|------------------------------|-----------------|----|--------------|--------------------|
| | Spring Loaded | K2-3005-89 | K2-3005-51 | 19 | 48 | $32^{+1.7}_{-0.2}$ |
| Fixed | K2-3001-89 | K2-3001-51 | 18 | 47 | $32 \pm 0,2$ | |
| KEEPER PLATE | | K4-2338-89 | K4-2338-51 | | | |

Concealed Spring

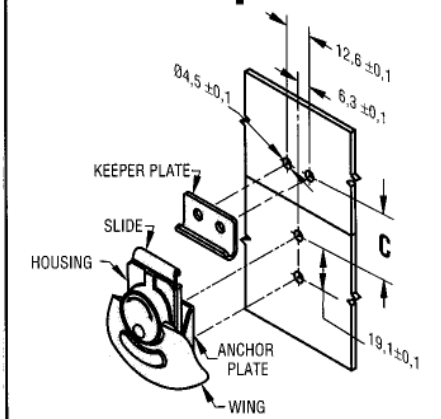


Latch in closed position

Fixed Version



Panel Preparation



Lift wing.



Twist anticlockwise to disengage.

