

## Small Adjustable Friction Hinge



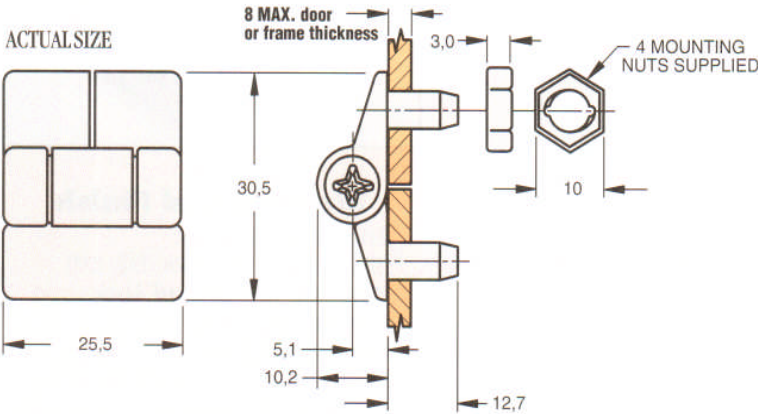
- Holds doors open, partially open or close
- Adjustment screw to adjust hinge tension
- concealed mounting hardware
- Acetal hinge, with black finish
- Supplied with mounting nuts

**P/N: E6-10-101-20**

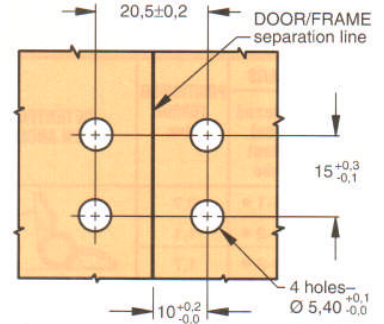
## Small Adjustable Friction Hinge



- Holds doors open, partially open or close
- Adjustment screw to adjust hinge tension
- concealed mounting hardware
- Supplied with mounting nuts
- Acetal hinge, with colonial white finish

**P/N: E6-10-101-30**


Prepare door and frame.



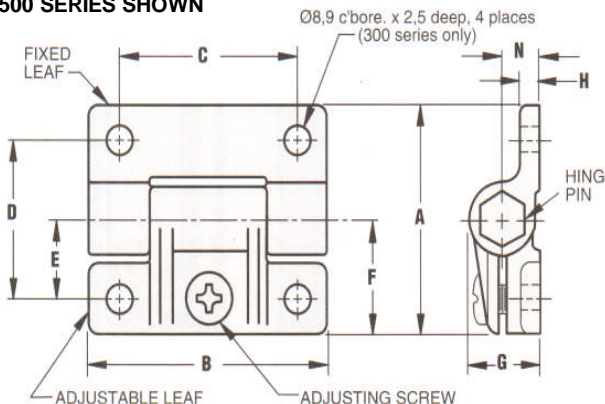
## Medium & Large Adjustable Friction Hinge



- Hold door open, partially open or closed
- Turn the screw to dampen or free-up the door swing
- Acetal hinge, with colonial white or black finish
- Two size available (See chart of dimensions)

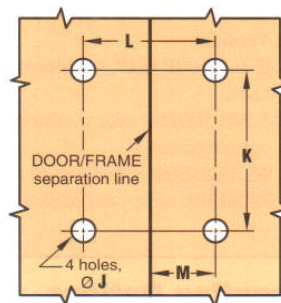
### Series 300 & 500

#### 500 SERIES SHOWN



#### Installation

Prepare door and frame.



SERIES (size)	K +0,3 -0,0	L ±0,1	M +0,2 -0,0
300	31,5	25,5	12,5
500	47,5	38	19

FOR MOUNTING			
thread size-metric	Ø J +0,1 -0,0	thread size-inch	Ø J (+0,005 -0,000)
M4	4,5	(8-32)	(,177)
M6	6,6	(1/4-20)	(,265)

Part Numbers	series No	Colour	Dimensions								
			A	B	C	D	E	F	G	H	N
<b>E6-10-301-10</b>	300	Colonial White	36.5	43	31.7	25.5	12.7	18.3	12.7	6	6.7
<b>E6-10-301-20</b>		Black									
<b>E6-10-501-10</b>	500	Colonial White	57.5	63.5	47.6	38	19	28.5	19.4	5.2	10.3
<b>E6-10-501-20</b>		Black									