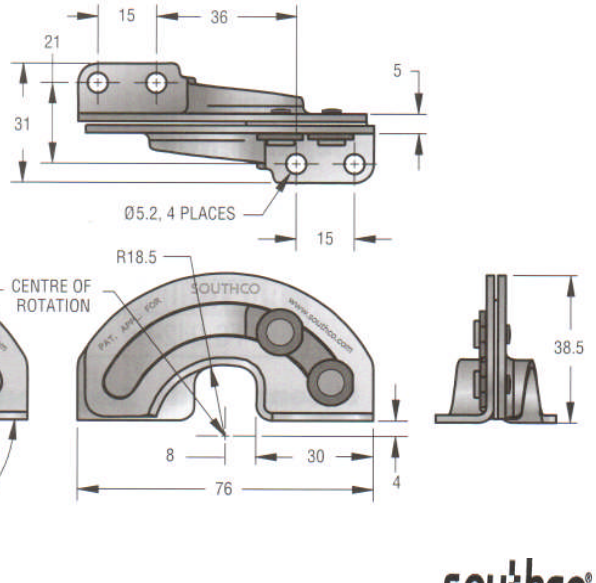


90° Free-swinging Style



Part Numbers

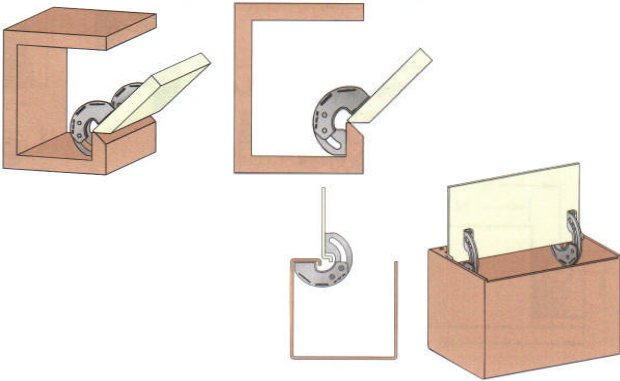
Zinc Plated, Steel	R6-21-11
Stainless Steel	R6-21-23



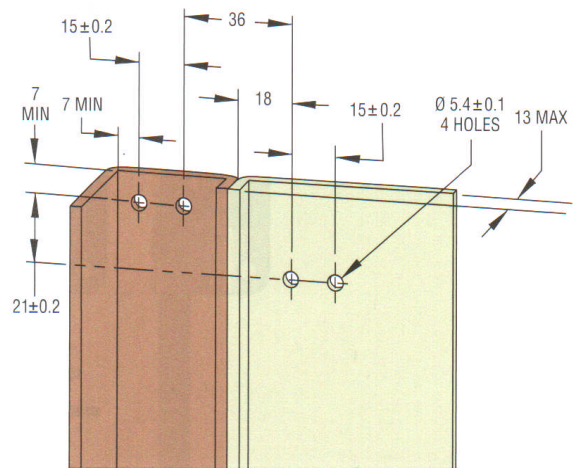
Material and Finish:

- ▶ Roller Leafs and CAM Leafs: Steel, zinc plated or natural 300 series stainless steel.
 - ▶ Rivets: 300 series stainless steel.
 - ▶ Washer and Bushings: Acetal, Black
- Flammability rating: UL94-HB

Possible Application



Panel Preparation for 90° Free-swinging and Door-stay styles



Panel thickness exceeding 4mm will require a 45° chamfer on both door and frame.

1. Prepare door and frame as shown.
2. Install using M5 hardware or by welding.
(Mounting hardware not supplied)

Operation

