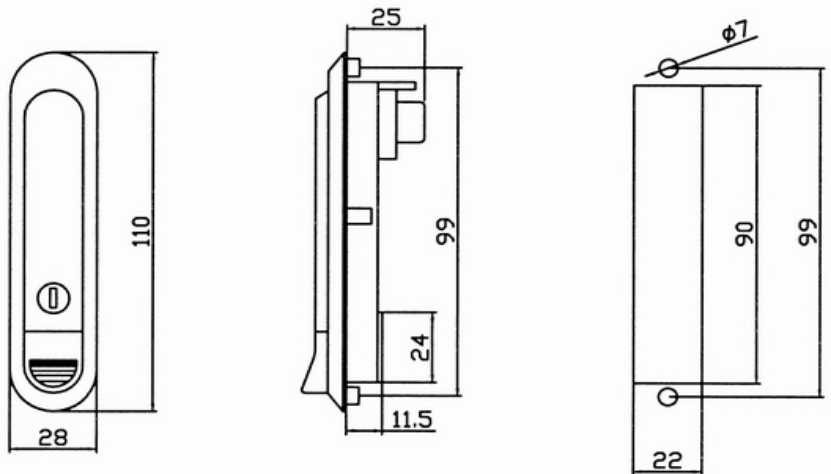
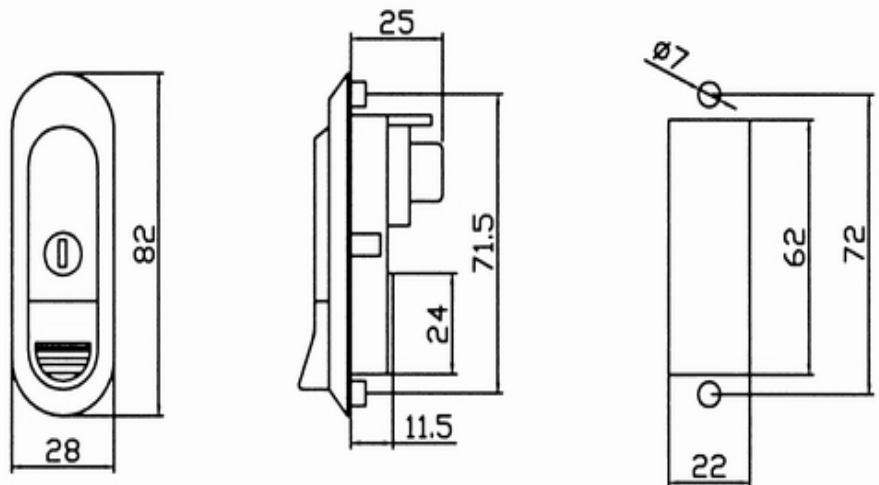


Part Number	Material	Finish
A-205	Steel	Chrome
A-205-B	Steel	Black powder coated



Part Number	Material	Finish	With Padlock
A-210-2	Steel	Chrome	Yes
B-210-2	Steel	Chrome	No
A-210-2-BK	Steel	Black powder coated	Yes
B-210-2-B	Steel	Black powder coated	No



Part Number	Material	Finish	With Padlock
A-210-3	Steel	Chrome	Yes
B-210-3	Steel	Chrome	No
A-210-3-BK	Steel	Black powder coated	Yes
B-210-3-B	Steel	Black powder coated	No