



Window seals are used to mount panes, windows, etc. in doors, casings and machine enclosures.

- The pane is clamped in place with the help of the filler and held flush-mounted in the cutout
- The window seals are made of EPDM with excellent weathering and ozone resistance properties.
- EPDM quality is neutral to paints.

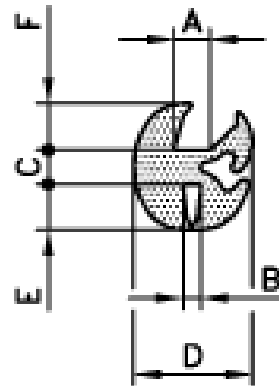
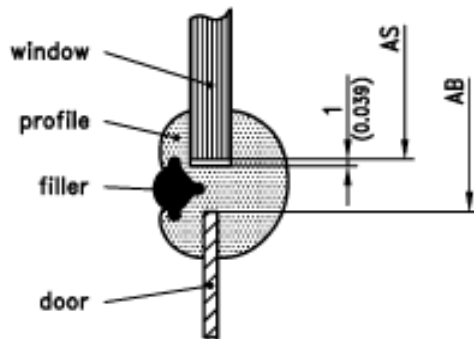
Tolerances:

- EPDM: DIN 7715 E2

Material:-

- Profile: rubber, EPDM
- Filler: rubber, EPDM

Example of application



AS=size of window
AB=size of cutout

Dimension in mm						Bending radius/mm	Weight g / m	Filler Part No.	Part No.
A	B	C	D	E	F				
4	2	4	13.0	5.5	5.5	30	154	209-0601	209-0501
4	2.5	7	16	7	7	70	235	209-0602	209-0502
6	2.5	7	18	7	7	70	270	209-0602	209-0503
3	1	4	11.6	4.5	6	35	145	209-0601	209-0508
4	1.5	7	16	7	7	80	227	209-0602	209-0509
4	2	7.3	18	11	8.7	100	405	209-0602	209-0510
4.5	5	7	16	7	7	80	300	209-0602	209-0511
5	2	7.5	19	12.5	9.5	100	410	209-0602	209-0512
5	3	7.5	18	7.5	8	90	345	209-0602	209-0513
5	3	7.5	19	12.5	9.5	100	460	209-0602	209-0514
5	5	7	18.4	9	8	90	360	209-0602	209-0515
5.5	2	7.3	19	11	8.7	100	400	209-0602	209-0516
6	1.5	7.5	19	12.5	9.5	100	400	209-0602	209-0517
6	2.5	7	19	8	8	90	350	209-0602	209-0518
6	3	7.5	19	12.5	9.5	100	410	209-0602	209-0519
6	4	7.5	19	12.5	9.5	100	390	209-0602	209-0520
6	6	8.5	19	9.5	9	100	435	209-0602	209-0521
8	3	7.5	22	12.5	9.5	120	600	209-0602	209-0522
8	4	8.5	25	12.5	10	100	620	209-0602	209-0523
10	3	7.5	23	12.5	9.5	120	600	209-0602	209-0524
10	6	7.5	24	12.5	9.5	100	570	209-0602	209-0525