

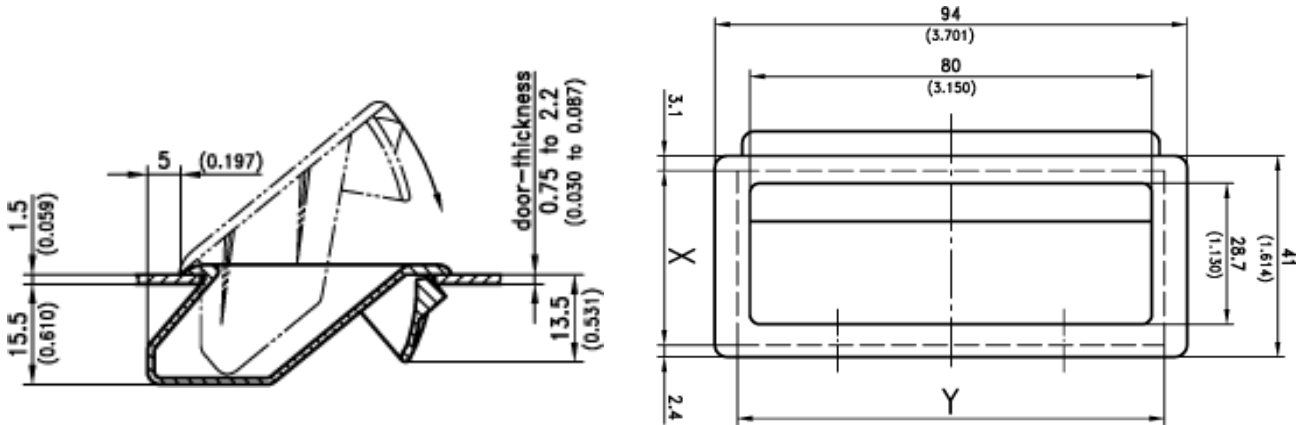
Handle dish, clip-in for door thickness 0.75mm to 2.2mm (0.030 to 0.087)

- The dimension of the cutouts for the different door-thicknesses are indicated in the table below.

Material:

- PA, Black

**P/No: 213-0703.03**



Door Thickness in mm	Dimension of cutout	
	X	Y
0.75	34.8 <sup>±0.2</sup>	85.0 <sup>±0.2</sup>
1.00	35.0 <sup>±0.2</sup>	85.0 <sup>±0.2</sup>
1.50	36.0 <sup>±0.2</sup>	85.0 <sup>±0.2</sup>
2.00	36.0 <sup>±0.2</sup>	85.0 <sup>±0.2</sup>
2.20	36.0 <sup>±0.2</sup>	85.0 <sup>±0.2</sup>

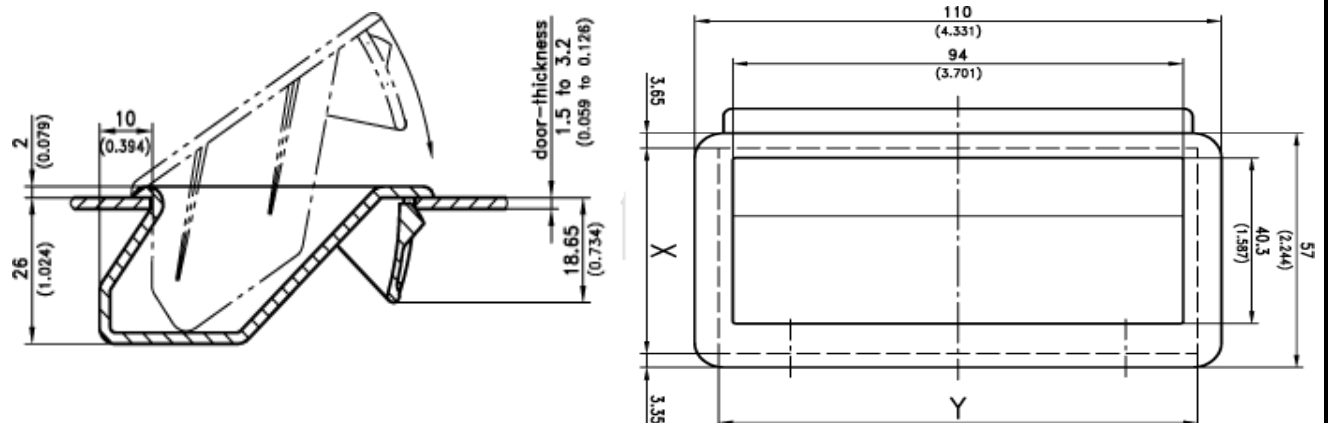


Handle dish, clip-in for door thickness 1.5mm to 3.2mm (0.059 to 0.126)

- The dimension of the cutouts for the different door-thicknesses are indicated in the table mentioned below

Material:

- PA, Black



**P/No: 213-0702.03**