

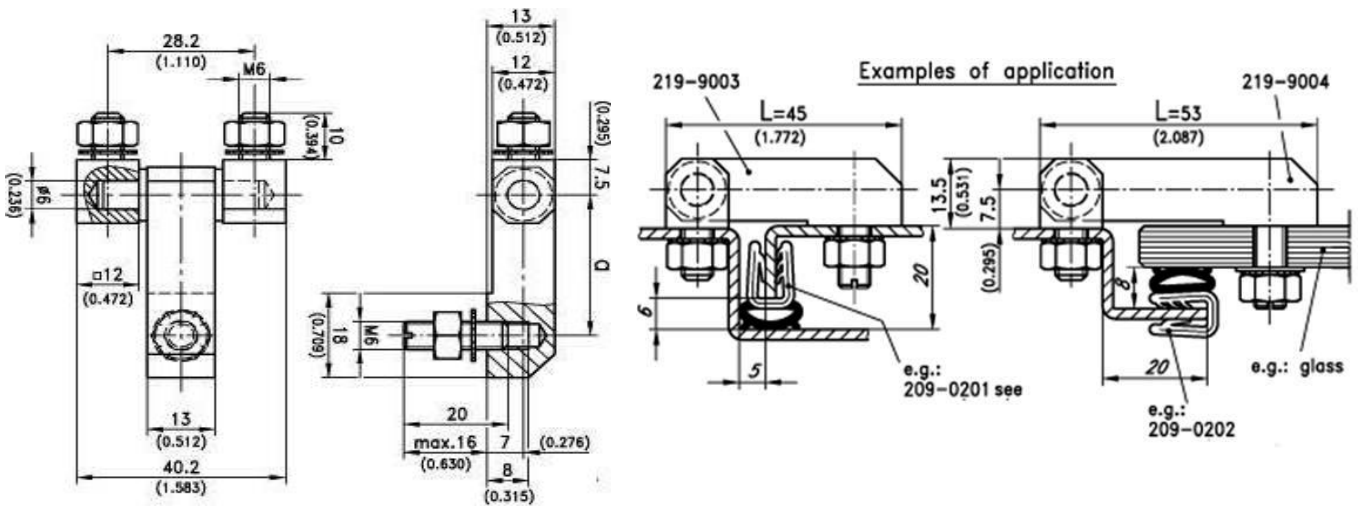


Screw-on Hinge for flush door construction  
position at  $-5^\circ$ ,  $85^\circ$  and  $175^\circ$

Material:-

- Housing: steel, zinc plated
- Pin and washers: brass, nickel plated
- Stud, nuts and serrated washers: steel, zinc plated

Dimension L	Dimension a	Finish	Part No.
45 / 1.772	30 / 1.181	Steel	219-9003
53 / 2.087	38 / 1.496	Steel	219-9004
45 / 1.772	30 / 1.181	Stainless Steel	219-9006
53 / 2.087	38 / 1.496	Stainless Steel	219-9007



Concealed Hinge for RH or LH application

- The 2 main hinge parts have a central guide to prevent door sagging during adjustment

Material:-

- U-part: steel, zinc plated
- Z-part and frame part: steel, not plated
- Pin: steel, zinc plated

Part No : 222-9001 (Steel)

Part No : 222-9105 (SUS)

