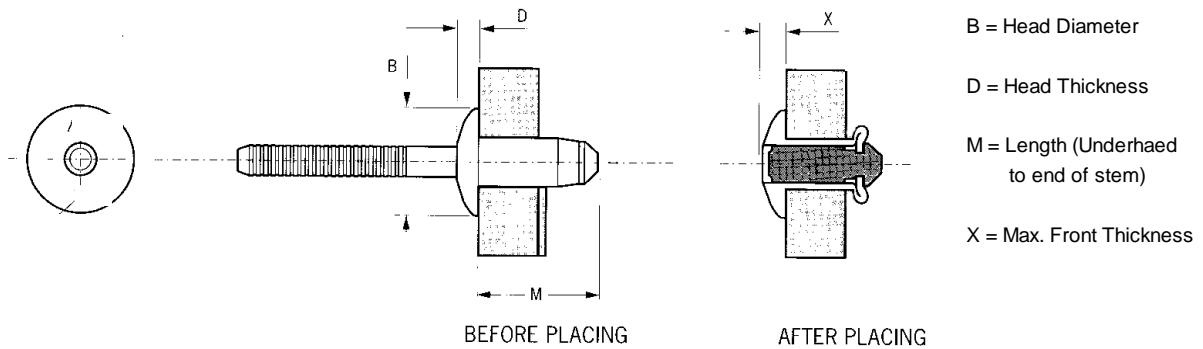


Protruding Head, Aluminium alloy & carbon steel application



- Material:**
- Carbon Steel (standard)
 - Aluminium Alloy

- Finish: Body & Mandrel:**
- Body: Zinc plated
 - Body: Natural

DIMENSIONS

in millimetres

Hole Size		Grip Range		Grip	B	D	M	X	Fastener Size	Part Numbers	
Min.	Max.	Min.	Max.	ID	Max.	Max.	Max.	Max.	nom.	Carbon Steel	Alum. Alloy
		1.50	3.50	12			13.7			SHM-0812	SHM-0812-AL
		2.80	4.80	13			15.0			SHM-0813	SHM-0813-AL
		3.35	5.35	14			15.6			SHM-0814	SHM-0814-AL
6.7	6.9	4.80	6.80	15	13.4	2.6	17.0	3.4	6.4	SHM-0815	SHM-0815-AL
		6.80	8.80	17			19.0		(1/4")	SHM-0817	SHM-0817-AL
		7.50	9.50	18			19.7			SHM-0818	SHM-0818-AL
		8.80	10.80	19			21.0			SHM-0819	SHM-0819-AL
		10.80	12.80	21			23.0			SHM-0821	SHM-0821-AL