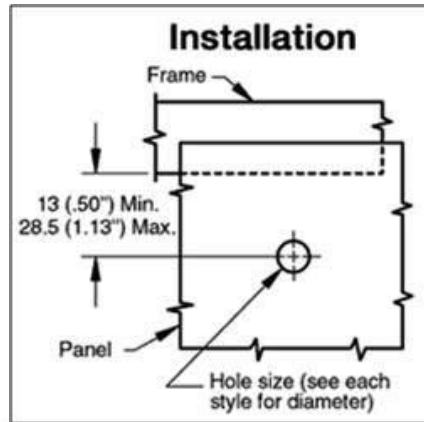
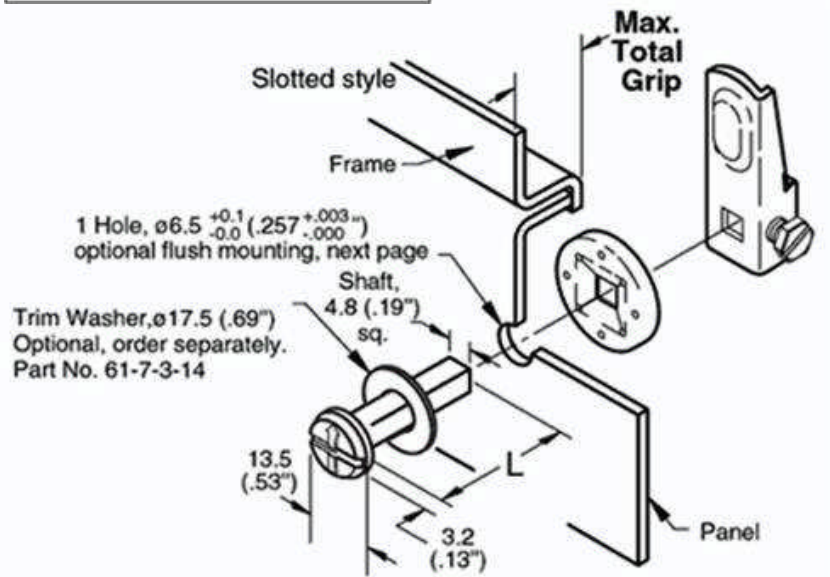


Universal Cabinet Series Slotted Latch

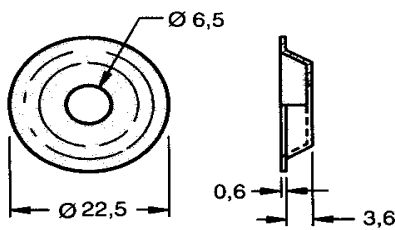


- All Steel Construction
- For lighter duty applications
- Accommodates wide grip ranges
- Single-hole installation
- Finished with pawl, retainer and set screw
- Bright nickel plated finish
- ▶ For trim washer order P/No:61-7-3-14
- ▶ For optional flush mounting cup order part no: 61-16-101-14

Max.Total Grip	Shaft Length L	Part Number
70	83	61-10-5-0
19	32	61-10-4-0
25	38	61-10-1-0
12.5	25.5	61-10-6-0
32	44.5	61-10-7-0
38	51	61-10-2-0
6.4	19	61-10-8-0
57	70	61-10-3-0



Flush Mounting Cup For Slotted Style Latches (Optional)



- Bright nickel plated finish
- Steel Construction


P/No: 61-16-101-14
