

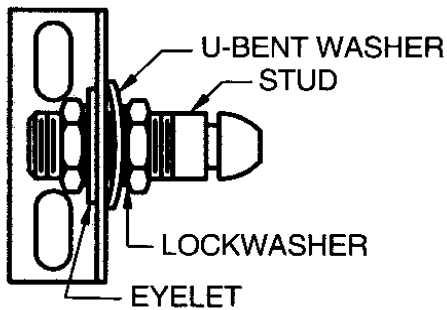
Hidden Panel Latching System



- Push the button to unlatch
- Push the door closed to latch
- Designed for near edge application
- Available with fixed keeper or floating keeper
- Floating keeper assists alignment
- All hardware is concealed behind the panel
- Steel construction
- Spring are Type 302 stainless steel
- Furnished with nuts, lockwashers and u-bent washer
- UL 94-V-O flammability rating
- Zinc plated with chromate plus sealer

Keeper Style	Assembly Part Numbers
Fixed keeper	E2-50-101-10
Floating keeper	E2-50-101-20

Floating keeper for hinged panels



Stud will float 4 total movement.

Fixed keeper for lift-off panels

