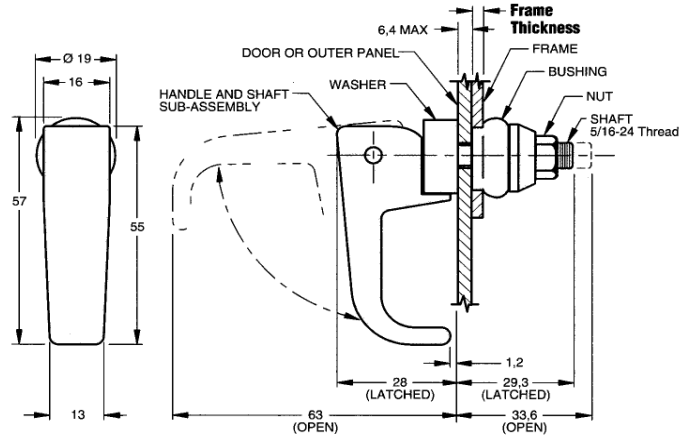


## Heavy Duty Swell Latch

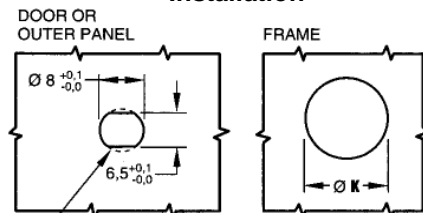


**P/No: 19-14-10**

- Accommodates misalignment between door and frame
- Latch in any frame thickness, blind application, glass, plastic or metal
- Resists vibration
- Die-cast zinc handle
- SBR rubber bushing expands when latched
- Shipped partially assembled, one unit per bag
- Black powder coated finish



### Installation



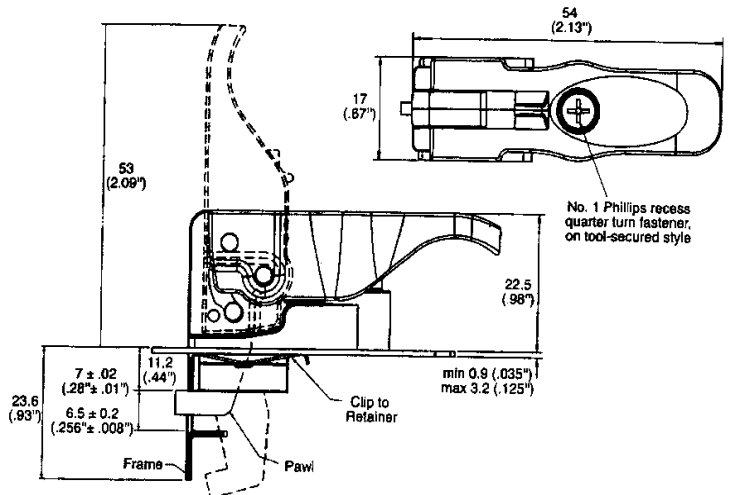
OPTIONAL: Round hole installation. **CAUTION!!** Handle orientation will shift with use and loosen.

## Side Mount Bracket, Small and Large



### Part Numbers

Panel Thickness	Non Tool-Secured Style	Tool-Secured Style
0.9 to 1.6	P7-1-301-15	P7-1-302-15
1.7 to 2.4	P7-1-301-25	P7-1-302-25
2.5 to 3.2	P7-1-301-35	P7-1-302-35



- For use on modules, power supplies and line cards
- 5 to 1 mechanical advantage provides insertion/ejection force required for very high density connectors
- Flame retardant material for critical electrical applications (UL94-VO rated)
- Tool secured version helps meet UL 1950, IEC95, EN 60950 for restricted access
- Linear pawl travel is 10mm
- Accommodates panels from 0.9mm to 3.2mm thick
- Steel pawl is zinc plated with chromate plus sealer