

## Swell Latch

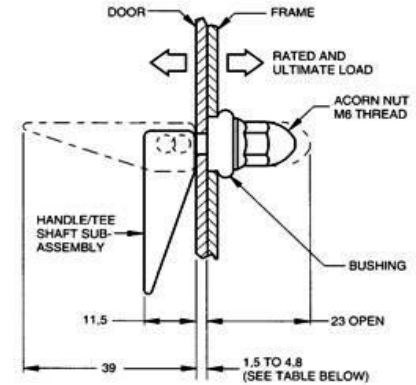
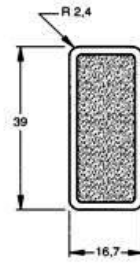


**P/No: 19-54-01** ( 1 assembly per bag)

**P/No: 19-51-01** (Bulk Packaged)

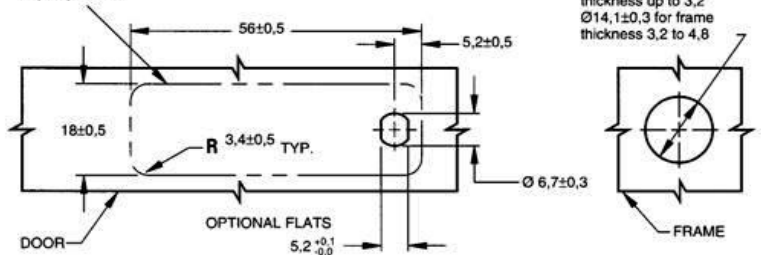
- Accommodates misalignment between door and frame
- Latch in any frame thickness, blind application, glass, plastic or metal
- Resists vibration
- Sound deadening
- Black nylon handle with black SBR rubber bushing

Door Thickness	Use Washer	Adjustment Required?
1.7 ± 0.2	YES	NO
1.9 to 2.3	YES	YES
2.5 ± 0.2	YES	NO
2.7 to 4.8	NO	YES



### Panel Preparation

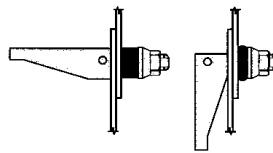
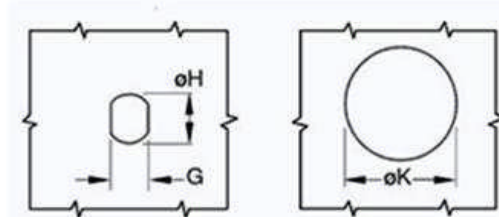
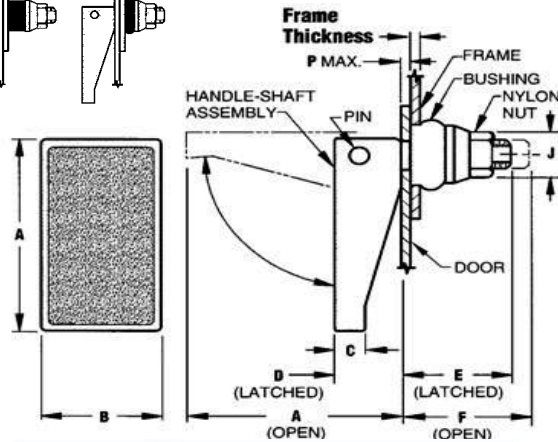
OPTIONAL RECESSED DOOR PREPARATION:  
11.5±0.5 DEEP



## Handle Style Swell Latch, Small and Large



- Latches in any frame thickness, blind application, glass or plastic
- Accommodates misalignment between door and frame
- Custom colours on special order, send your colour chip or call for details
- Resists vibration
- Black nylon handle with black SBR rubber bushing
- To order optional side mount bracket for  
**P/N:19-81-10 order part: 19-0-15666-11**  
**P/N:19-91-10 order part: 19-0-10665-11**

A	B	C	D	E	F	J (across flats)	P Max	G +0.1 -0.0	ØH +0.1 -0.0	Frame Thickness	Øk +0.5 -0.0	Max. misalignment between panel hole and frame hole	rated Load (short term)	thread size	Part Number
28	12	4	8	13	15.5	6	3.2	3.3	4.1	3.2 MAX	9.5	0.4	180 N	8-32UNC	<b>19-81-10</b> small
39	17	5	11.5	19	22.5	8	4.8	4.5	5.8	up tp 3.2	13.5	0.6	440 N	12-24	<b>19-91-10</b> Large
										3.2 to 4.8	14	0.8	330 N	UNC	

\* Latch should not be loaded continuously at values near the short term rated load.