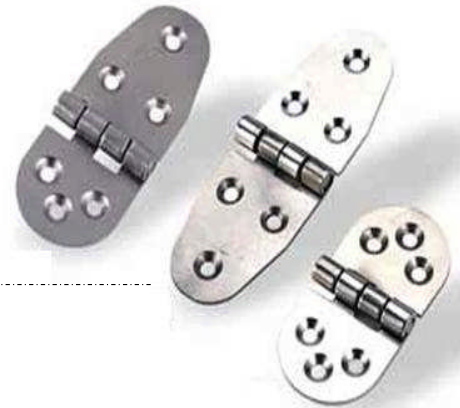
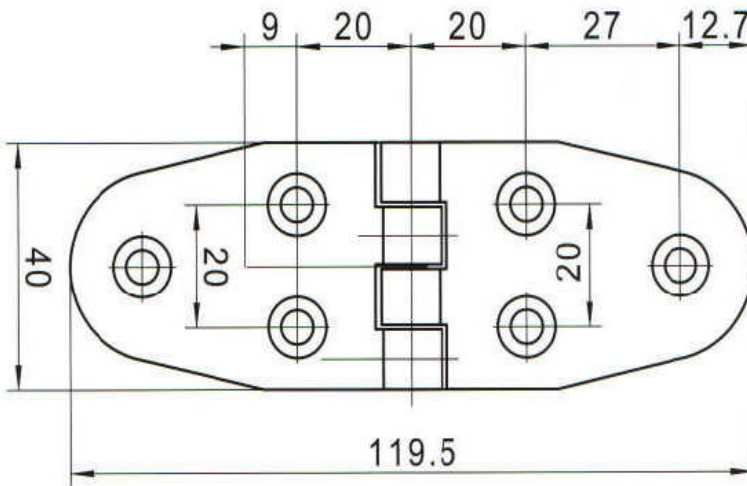


P/N: SCL-238-1  
Material: Stainless steel



P/N: SCL-238-2  
Material: Stainless steel



P/N: SCL-238-3  
Material: Stainless steel

