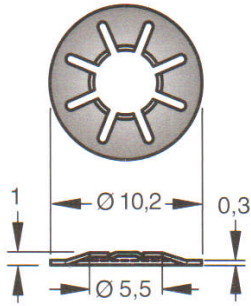


Medium Size Split Ring Retainer



- Captivates a medium size quarter-turn stud
- Material: 304 stainless steel, passivated

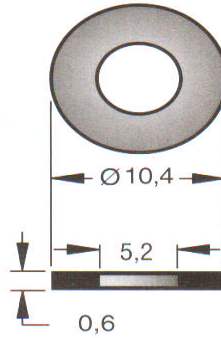
► For installation tool order part no:82-0-22542-11



P/No:82-32-201-20

southco®

Medium Size Nylon Retainer



- Captivates a medium size quarter-turn stud
- Black nylon

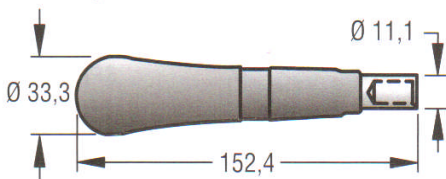
► For installation tool order part no:82-0-22542-11



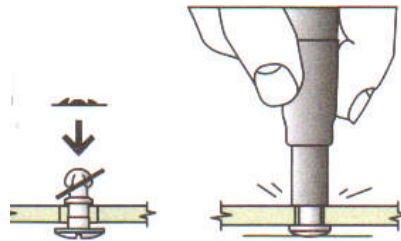
P/No:82-32-301-20

southco®

Installation Tools

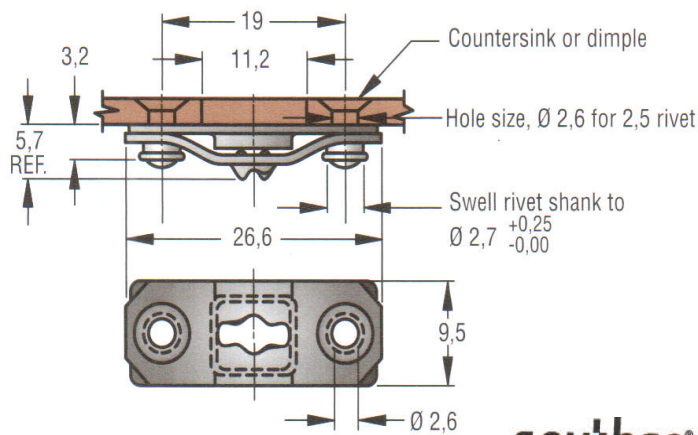


P/No:82-0-22542-11



southco®

Medium Size Leaf Spring Receptacle, Rivet Style With Base



southco®

- Material: Type 1064 DACROTIZED steel spring
- Material: Type 1010 DACROTIZED steel base
- two .102" diameter mounting holes

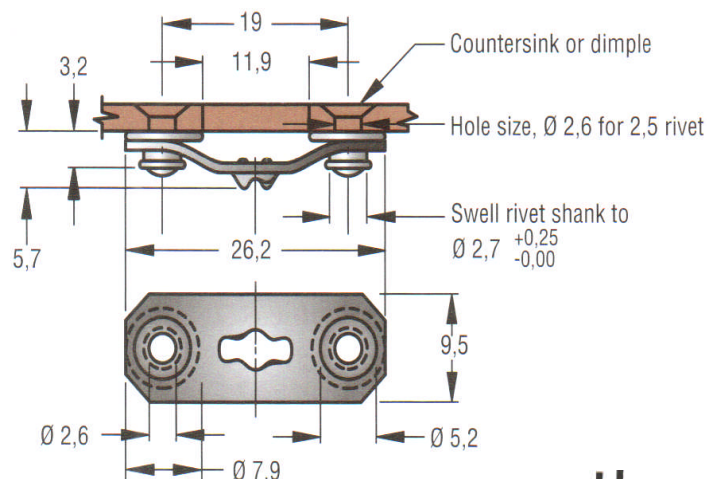
To enter stud Selection Table determine your Total Material Thickness.

SPRING MUST FLOAT FREELY AS BEFORE RIVETING.



P/No: 82-35-302-15

Medium Size Leaf Spring Receptacle, Rivet Style Without Base



southco®

- two .102" diameter mounting holes

To enter stud Selection Table determine your Total Material Thickness.

SPRING MUST FLOAT FREELY AS BEFORE RIVETING.



Part Number	Spring	Eyelet
82-35-295-15	Stainless steel 1064	Steel
82-35-295-20	Stainless steel 17-7PH	SUS 302/305